

Dell™ PowerEdge™  
R805 Systems

# Getting Started With Your System

Guide de mise en route  
Primeiros passos com o sistema  
Procedimientos iniciales con el sistema





Dell™ PowerEdge™  
R805 Systems

# Getting Started With Your System



# Notes, Notices, and Cautions



**NOTE:** A NOTE indicates important information that helps you make better use of your computer.



**NOTICE:** A NOTICE indicates either potential damage to hardware or loss of data and tells you how to avoid the problem.



**CAUTION:** A CAUTION indicates a potential for property damage, personal injury, or death.

---

**Information in this document is subject to change without notice.**

**© 2007 Dell Inc. All rights reserved.**

Reproduction in any manner whatsoever without the written permission of Dell Inc. is strictly forbidden.

Trademarks used in this text: *Dell* and the *DELL* logo are trademarks of Dell Inc.; *AMD* and *AMD Opteron* are registered trademarks of Advanced Micro Devices; *Microsoft*, *Windows*, and *Windows Server* are registered trademarks of Microsoft Corporation; *Novell* and *NetWare* are registered trademarks of Novell, Inc.; *Red Hat* and *Red Hat Enterprise Linux* are registered trademarks of Red Hat, Inc.; *SUSE* is a registered trademark of Novell Inc.

Other trademarks and trade names may be used in this document to refer to either the entities claiming the marks and names or their products. Dell Inc. disclaims any proprietary interest in trademarks and trade names other than its own.

Model EMS01

August 2007

P/N NX702

Rev. A00

## System Features

This section describes the major hardware and software features of your system. It also provides information about other documents you may need when setting up your system and how to obtain technical assistance.

- Two dual-core or quad-core AMD Opteron™ processors.
- A minimum of 2 GB single- or dual-ranked 667-MHz DDR2 (PC2-5300) memory modules (installed in two sets of pairs). Memory is upgradable to a maximum of 128 GB by installing combinations of 512-MB, 1-GB, 2-GB, 4-GB, or 8-GB memory modules in the 16 memory module sockets (eight per CPU) on the system board.
- Support for up to two 2.5-inch, internal hot-pluggable Serial Attached SCSI (SAS) or SATA hard drives.
- An optional slim-line SATA DVD-ROM drive, slim-line SATA DVD-RW drive, or combination CD-RW/DVD drive (when available).



**NOTE:** DVD devices are data only.

- An intrusion switch that signals the appropriate systems management software if the cover is opened.
- Up to two hot-pluggable, 700-W power supplies in an optional 1 + 1 redundant configuration.
- Six hot-pluggable system cooling fans.
- Optional support for iSCSI boot.

The system board includes the following features:

- A right riser card (riser 1) containing two PCIe (x4 and x8) slots. The right riser card also contains an SD (Secure Digital) slot for embedded OS support.
- A left riser card (riser 2) containing one full-length PCIe (x8) slot and one half-length PCIe (x8) slot.
- An integrated SAS controller card (via a dedicated PCIe slot on the sideplane board) supporting both SAS 6i/R and PERC 6/i adapters.
- Optional integrated PERC controller (PERC 6i) with integrated cache and battery backup.
- Four integrated Gigabit Ethernet NICs, capable of supporting 10-Mbps, 100-Mbps, and 1000-Mbps data rates.

- Four external USB 2.0-compliant connectors (two on the front and two on the back) supporting a diskette drive, a DVD-ROM drive, a keyboard, a mouse, or a USB flash drive.
- One internal USB 2.0-compliant connector supporting an optional bootable USB flash drive or USB security key.
- Optional remote access controller (RAC) for remote systems management.
- An integrated VGA-compatible video subsystem based on an integrated ATI ES1000 33-MHz PCI video controller. The video subsystem includes 32MB of graphics memory and supports various 2D graphics video modes. Maximum resolution is 1600x1200 with 65,536 colors. (When the optional RAC is installed, the maximum resolution of the integrated video subsystem is 1280x1024.)
- Systems management circuitry that monitors operation of the system fans as well as critical system voltages, temperatures, and system power consumption. The systems management circuitry works in conjunction with the systems management software.
- Standard Baseboard Management Controller (BMC) with serial and LAN access.
- Back-panel connectors include one serial, one video, two USB, and four NIC connectors.
- Front-panel connectors include a video and two USB connectors.
- Front-panel 1x5 LCD for system ID and error messaging.
- System ID button on the front and back panels.

For more information about specific features, see Technical Specifications.

## Supported Operating Systems

- Microsoft® Windows Server® 2003 R2 Standard and Enterprise Editions (SP1 and later)
- Microsoft Windows Server 2003 R2 Standard and Enterprise x64 Editions (SP1 and later)
- Red Hat Enterprise Linux Server 5 (x86)
- Red Hat Enterprise Linux Server 5 (x86\_64)
- Red Hat Enterprise Linux Server ES (Version 4.5) (x86)

- Red Hat Enterprise Linux Server ES (Version 4.5) (x86\_64)
- SUSE® Linux Enterprise Server 9 (x86\_64)
- SUSE Linux Enterprise Server 10 (x86\_64)
- VMware® ESX Server 3 (including embedded versions)



**NOTE:** For the latest information on supported operating systems, see [www.dell.com](http://www.dell.com).



**NOTE:** SUSE Linux Enterprise Server 9, prior to SP4, does not support SATA optical devices. Installation must be performed using other methods, such as an external USB CD-ROM drive.

## Other Information You May Need



**CAUTION:** The *Product Information Guide* provides important safety and regulatory information. Warranty information may be included within this document or as a separate document.

- The *Rack Installation Guide* or *Rack Installation Instructions* included with your rack solution describes how to install your system into a rack.
- The *Hardware Owner's Manual* provides information about system features and describes how to troubleshoot the system and install or replace system components.
- CDs included with your system provide documentation and tools for configuring and managing your system.
- Systems management software documentation describes the features, requirements, installation, and basic operation of the software.
- Operating system documentation describes how to install (if necessary), configure, and use the operating system software.
- Documentation for any components you purchased separately provides information to configure and install these options.
- Updates are sometimes included with the system to describe changes to the system, software, and/or documentation.



**NOTE:** Always check for updates on [support.dell.com](http://support.dell.com) and read the updates first because they often supersede information in other documents.

- Release notes or readme files may be included to provide last-minute updates to the system or documentation or advanced technical reference material intended for experienced users or technicians.

## Obtaining Technical Assistance

If you do not understand a procedure in this guide or if the system does not perform as expected, see your *Hardware Owner's Manual*.

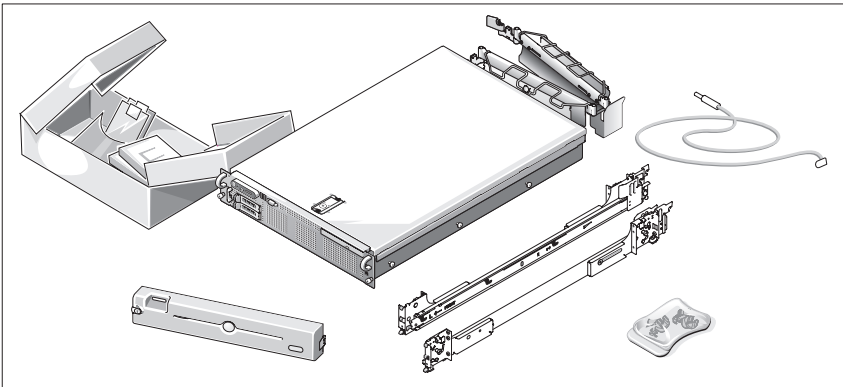
Dell™ Enterprise Training and Certification is available; see [www.dell.com/training](http://www.dell.com/training) for more information. This service may not be offered in all locations.

## Installation and Configuration

**⚠ CAUTION:** Before performing the following procedure, read and follow the safety instructions and important regulatory information in your *Product Information Guide*.

This section describes the steps to set up your system for the first time.

### Unpacking the System



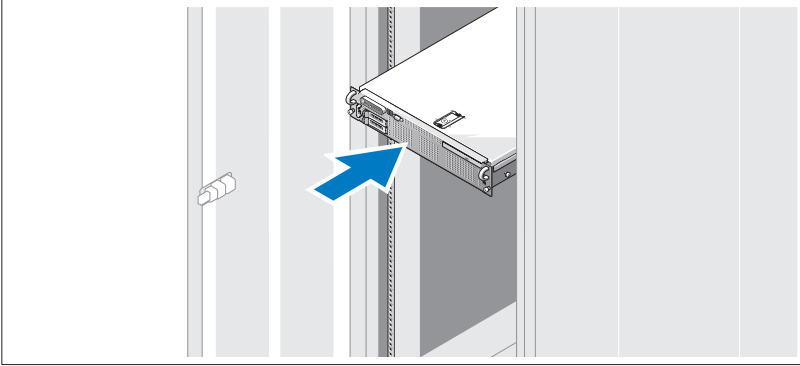
1. Unpack your system and identify each item.

Keep all shipping materials in case you need them later.

**📎 NOTE:** Depending on options ordered, not all components shown may be included.



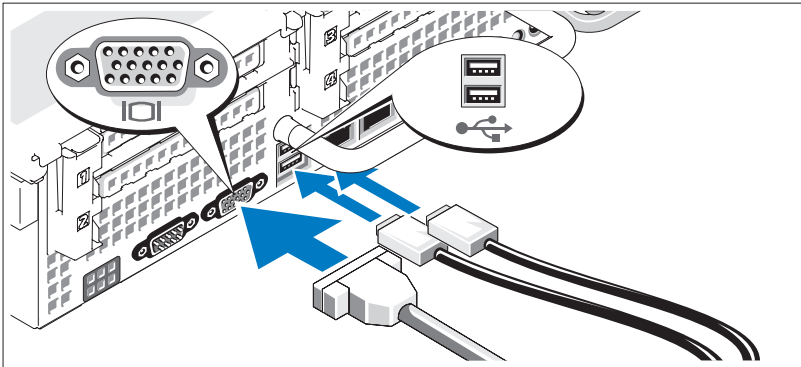
## Installing the Rails and System in a Rack



- 2 Once you have read the "Safety Instructions" located in the rack installation documentation for your system, install the rails and the system in the rack.

See your rack installation documentation for instructions on installing your system in a rack.

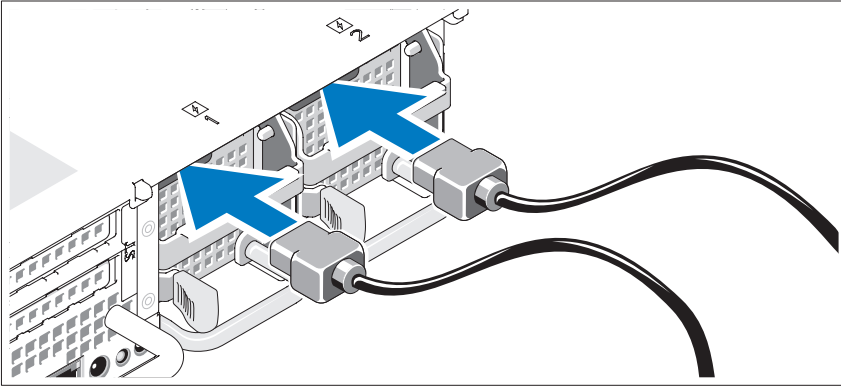
## Connecting the Keyboard, Mouse, and Monitor



- 3 Connect the keyboard, mouse, and monitor (optional).

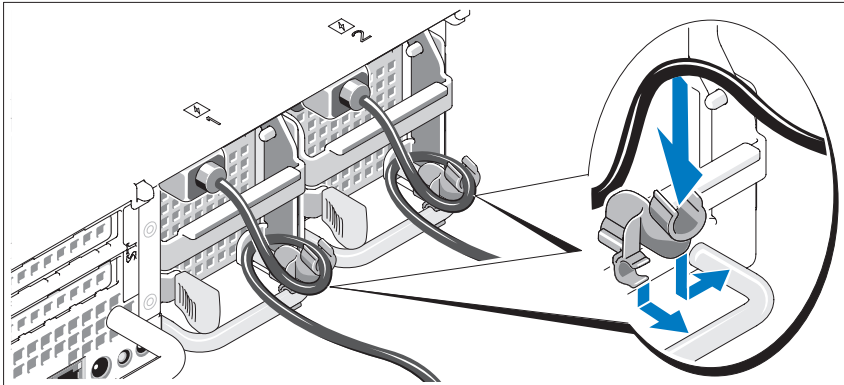
The connectors on the back of your system have icons indicating which cable to plug into each connector. Be sure to tighten the screws (if any) on the monitor's cable connector.

## Connecting the Power



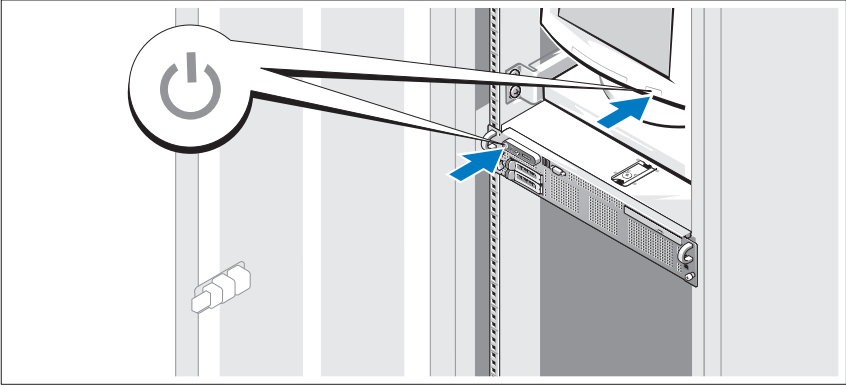
- 4 Connect the monitor's power cable to the monitor (optional), and connect the system's power cable(s) to the system.

## Installing the Power Cord Retention Bracket



- 5 Attach the power cord retention bracket on the right bend of the power supply handle. Bend the system power cable into a loop as shown in the illustration and attach to the bracket's cable clasp. Repeat the procedure for the second power supply.
- 6 Plug the other end of the power cables into a grounded electrical outlet or a separate power source such as an uninterruptible power supply (UPS) or a power distribution unit (PDU).

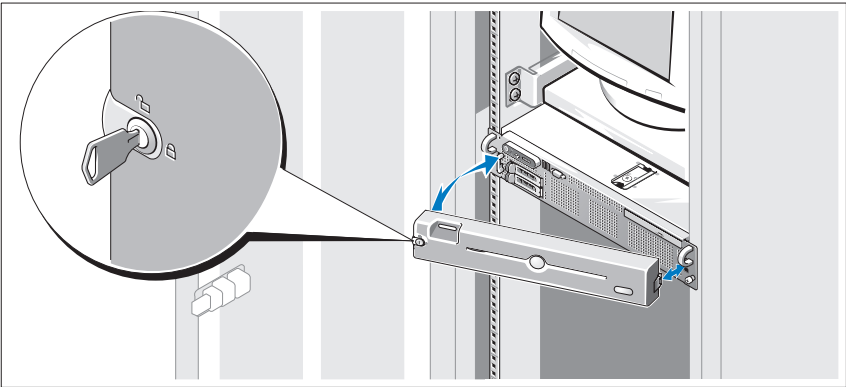
## Turning on the System



- 7 Turn on the system and monitor (optional).

With the bezel removed, press the power button on the system and the monitor. The power indicators should light. Adjust the monitor's controls until the displayed image is satisfactory.

## Installing the Bezel



- 8 Install the bezel (optional).

# Complete the Operating System Setup

If you purchased a preinstalled operating system, see the operating system documentation that ships with your system. To install an operating system for the first time, see the *Quick Installation Guide*. Be sure the operating system is installed before installing hardware or software not purchased with the system.

## Technical Specifications

---

|  |   |
|--|---|
| <b>Processor</b>                             |   |
| Processor type                               | Two dual- or quad-core AMD Opteron processors   |
| <b>Expansion Bus</b>                         |   |
| Bus type                                     | PCIe  |
| <b>Expansion slots</b>                       |   |
| Right riser (riser 1):                       |   |
| PCIe   | One x8 full-height, full-length slot (top)<br>One x4 full-height, half-length slot (bottom)<br>One internal SD (Secure Digital) card slot |
| Left riser (riser 2):                        |   |
| PCIe   | One x8 full-height, full-length slot (top)<br>One x8 full-height, half-length slot (bottom)<br><br>One internal USB key socket            |
| <b>Memory</b>                                |   |
| Architecture                                 | 667-MHz registered parity DDR2 memory modules   |
| Memory module sockets                        | 16 240-pin  |
| Memory module capacities                     | 512 MB, 1 GB, 2 GB, 4 GB, or 8 GB (single- or dual-rank only, quad-rank not supported)  |
| Minimum RAM (installed in two sets of pairs) | 2 GB (1 GB each processor, 2 DIMMs per processor)   |
| Maximum RAM                                  | 128 GB (64 GB each processor)   |

---

**Drives**

---

|               |  |
|---------------|--|
| Hard drives   | Up to two 2.5-inch, hot-plug SAS or SATA internal drives   |
| Optical drive | One optional slim-line SATA DVD-ROM drive or DVD-RW drive, or combination CD-RW/DVD drive (when available)<br><b>NOTE: DVD devices are data only.</b><br>External optional USB DVD |
| Flash drive   | External optional USB<br>Internal optional USB<br>Internal optional SD card  |

---

**Connectors**

---

**Back**

|        |                              |
|--------|------------------------------|
| NIC    | Four RJ-45 10/100/1000       |
| Serial | 9-pin, DTE, 16550-compatible |
| USB    | Two 4-pin, USB 2.0-compliant |
| Video  | 15-pin VGA                   |

**Front**

|       |                              |
|-------|------------------------------|
| Video | 15-pin VGA                   |
| USB   | Two 4-pin, USB 2.0-compliant |

**Internal**

|     |  |
|-----|--|
| USB | One 4-pin, USB 2.0-compliant                             |
| SD  | One flash memory card slot on right PCIe riser (riser 1) |

---

**Video**

---

|              |  |
|--------------|--|
| Video type   | ATI ES1000 video controller; VGA connector |
| Video memory | 32 MB                                      |

---

**Power**

---

**AC power supply (per power supply)**

|                        |   |
|------------------------|---|
| Wattage                | 700 W   |
| Voltage                | 85–264 VAC, autoranging, 47–63 Hz   |
| Heat dissipation       | 2697 BTU/hr maximum   |
| Maximum inrush current | Under typical line conditions and over the entire system ambient operating range, the inrush current may reach 55 A per power supply for 10 ms or less. |

**Batteries**

|                         |                                     |
|-------------------------|-------------------------------------|
| System battery          | CR 2032 3.0-V lithium ion coin cell |
| RAID battery (optional) | 4.1-V lithium ion                   |

---

**Physical**

---

|                                |                     |
|--------------------------------|---------------------|
| Height                         | 8.67 cm (3.41 in)   |
| Width                          | 44.4 cm (17.5 in)   |
| Depth                          | 71.26 cm (28.05 in) |
| Weight (maximum configuration) | 20.23 kg (44.6 lb)  |

---

## Environmental

---

**NOTE:** For additional information about environmental measurements for specific system configurations, see [www.dell.com/environmental\\_datasheets](http://www.dell.com/environmental_datasheets).

### Temperature

Operating 10° to 35°C (50° to 95°F) with a maximum temperature gradation of 10°C per hour

**NOTE:** For altitudes above 2950 feet, the maximum operating temperature is derated 1°F/550 ft.

Storage -40° to 65°C (-40° to 149°F) with a maximum temperature gradation of 20°C per hour

### Relative humidity

Operating 20% to 80% (noncondensing) with a maximum humidity gradation of 10% per hour

Storage 5% to 95% (noncondensing) with a maximum humidity gradation of 10% per hour

### Maximum vibration

Operating 0.26 Grms at 5–350 Hz in operational orientations

Storage 1.54 Grms at 10–250 Hz in all orientations

### Maximum shock

Operating One shock pulse in the positive z axis (one pulse on each side of the system) of 31 G for 2.6 ms in the operational orientation

Storage Six consecutively executed shock pulses in the positive and negative x, y, and z axes (one pulse on each side of the system) of 71 G for up to 2 ms

### Altitude

Operating -16 to 3048 m (-50 to 10,000 ft)

**NOTE:** For altitudes above 2950 feet, the maximum operating temperature is derated 1°F/550 ft.

Storage -16 to 10,600 m (-50 to 35,000 ft)





Systemes Dell™  
PowerEdge™ R805

# Guide de mise en route

Modèle EMS01



# Remarques, avis et précautions



**REMARQUE** : Une REMARQUE indique des informations importantes qui peuvent vous aider à mieux utiliser votre ordinateur.



**AVIS** : Un AVIS vous avertit d'un risque de dommage matériel ou de perte de données et vous indique comment éviter le problème.



**PRÉCAUTION** : Une PRÉCAUTION indique un risque potentiel d'endommagement du matériel, de blessure corporelle ou de mort.

---

**Les informations contenues dans ce document peuvent être modifiées sans préavis.**

© 2007 Dell Inc. Tous droits réservés.

La reproduction de ce document de quelque manière que ce soit sans l'autorisation écrite de Dell Inc. est strictement interdite.

Marques utilisées dans ce document : *Dell* et le logo *DELL* sont des marques de Dell Inc. ; *AMD* et *AMD Opteron* sont des marques déposées d'Advanced Micro Devices ; *Microsoft*, *Windows* et *Windows Server* sont des marques déposées de Microsoft Corporation ; *Novell* et *NetWare* sont des marques déposées de Novell, Inc. ; *Red Hat* et *Red Hat Enterprise Linux* sont des marques déposées de Red Hat, Inc. ; *SUSE* est une marque déposée de Novell Inc.

D'autres marques et noms de marques peuvent être utilisés dans ce document pour faire référence aux entités se réclamant de ces marques et de ces noms ou à leurs produits. Dell Inc. dénie tout intérêt propriétaire vis-à-vis des marques et des noms de marque autres que les siens.

Modèle EMS01

Août 2007

N/P NX702

Rév. A00

## Caractéristiques du système

Cette section décrit les principales caractéristiques du système sur le plan matériel et logiciel. Elle contient également des informations sur les autres documents utiles à la configuration du système et sur l'obtention d'assistance technique.

- Deux processeurs AMD Opteron™ double cœur ou quadruple cœur.
- Barrettes de mémoire DDR2 (PC2-5300) à simple ou double rangée de connexions, cadencées à 667 MHz et totalisant au moins 2 Go (installées dans deux groupes de paires). La mémoire est extensible à un maximum de 128 Go via l'installation de combinaisons de barrettes de 512 Mo, 1 Go, 2 Go, 4 Go ou 8 Go dans les 16 emplacements mémoire (huit par processeur) de la carte système.
- Prise en charge de deux disques durs SAS (Serial-Attached SCSI) ou SATA internes de 2,5 pouces, enfichables à chaud.
- Un lecteur de DVD-ROM slim SATA, un lecteur de DVD-RW slim SATA ou un lecteur combo CD-RW/DVD (selon disponibilité). Tous ces éléments sont disponibles en option.



**REMARQUE :** Les périphériques DVD sont uniquement des périphériques de données.

- Un détecteur d'intrusion qui transmet une alerte aux logiciels de gestion de système appropriés en cas d'ouverture du capot de l'ordinateur.
- Jusqu'à deux blocs d'alimentation de 700 W enfichables à chaud dans une configuration redondante 1 + 1 (facultative).
- Six ventilateurs enfichables à chaud.
- Support en option pour l'amorçage iSCSI.

La carte système offre les caractéristiques suivantes :

- Carte de montage de droite (numéro 1) dotée de deux emplacements PCIe (x4 et x8). Cette carte contient également un logement SD (Secure Digital) pour le support intégré du système d'exploitation.
- Carte de montage de gauche (numéro 2) comprenant deux logement PCIe x8 dont un emplacement pleine longueur et un emplacement mi-longueur.

- Carte contrôleur SAS intégrée (via un emplacement PCIe dédié sur la carte latérale) prenant en charge à la fois les adaptateurs SAS 6i/R et PERC 6/i.
- Contrôleur PERC 6i intégré en option, avec mémoire cache intégrée et batterie de sauvegarde.
- Quatre NIC Ethernet Gigabit intégrés pouvant prendre en charge des débits de données de 10, 100 et 1 000 Mbps.
- Quatre connecteurs USB 2.0 externes (deux à l'avant et deux à l'arrière) pour la connexion d'un périphérique externe (lecteur de disquette ou de DVD-ROM, clavier, souris ou lecteur flash USB).
- Un connecteur USB 2.0 interne prenant en charge un lecteur flash USB amorçable ou une clé de sécurité USB, tous deux disponibles en option.
- Un contrôleur d'accès à distance (RAC) en option, pour la gestion de système à distance.
- Un sous-système vidéo intégré compatible VGA, avec contrôleur vidéo ATI ES1000 intégré à 33 MHz. Ce sous-système dispose de 32 Mo de mémoire graphique avec prise en charge de divers modes graphiques en 2D. La résolution maximale est de 1 600 x 1 200 avec 65 536 couleurs. Si le contrôleur RAC en option est installé, la résolution maximale du sous-système vidéo intégré est de 1 280 x 1 024.
- Des circuits intégrés de gestion de système surveillant le fonctionnement des ventilateurs, ainsi que les tensions et les températures critiques, ou encore la consommation énergétique du système. Ces circuits de surveillance fonctionnent de pair avec les logiciels de gestion de système.
- Un contrôleur BMC (Baseboard Management Controller) standard avec accès série et réseau local.
- Le panneau arrière contient un connecteur vidéo, un port série, deux ports USB et quatre connecteurs de NIC.
- Le panneau avant comprend un connecteur vidéo et deux connecteurs USB.
- Un écran LCD 1x5 sur le panneau avant, affichant l'ID du système et les messages d'erreur.
- Un bouton d'ID du système sur les panneaux avant et arrière.

Pour plus d'informations sur des caractéristiques spécifiques, voir "Spécifications techniques".

## Systèmes d'exploitation pris en charge

- Microsoft® Windows Server® 2003 R2, Standard Edition et Enterprise Edition (SP1 et suivants)
- Microsoft Windows Server 2003 R2 64 bits, Standard Edition et Enterprise Edition (SP1 et suivants)
- Red Hat Enterprise Linux Server 5 (x86)
- Red Hat Enterprise Linux Server 5 (x86\_64)
- Red Hat Enterprise Linux Server ES (version 4.5, x86)
- Red Hat Enterprise Linux Server ES (version 4.5, x86\_64)
- SUSE® Linux Enterprise Server 9 (x86\_64)
- SUSE Linux Enterprise Server 10 (x86\_64)
- VMware® ESX Server 3 (versions intégrées incluses)



**REMARQUE :** Pour obtenir les informations les plus récentes sur les systèmes d'exploitation pris en charge, rendez-vous sur le site [www.dell.com](http://www.dell.com).




**REMARQUE :** Les périphériques optiques SATA ne sont pris en charge par SUSE Linux Enterprise Server 9 qu'à partir du SP4. Si nécessaire, l'installation doit donc être effectuée à l'aide d'une autre méthode (lecteur de CD-ROM USB externe, par exemple).

## Autres informations utiles



**PRÉCAUTION :** Le document *Product Information Guide* (Guide d'informations sur le produit) contient d'importantes informations se rapportant à la sécurité et aux réglementations. Les informations sur la garantie se trouvent soit dans ce document, soit à part.

- Les documents *Rack Installation Guide* (Guide d'installation du rack) et *Rack Installation Instructions* (Instructions d'installation du rack) fournis avec la solution rack décrivent l'installation du système.
- Le document *Hardware Owner's Manual* (Manuel du propriétaire) contient des informations sur les caractéristiques du système, ainsi que des instructions relatives au dépannage et à l'installation ou au remplacement de composants.
- Les CD fournis avec le système contiennent des documents et des outils relatifs à la configuration et à la gestion du système.

- La documentation des logiciels de gestion de système contient des informations sur les fonctionnalités, l'installation et l'utilisation de base de ces logiciels, ainsi que sur la configuration requise.
- La documentation du système d'exploitation indique comment installer (au besoin), configurer et utiliser le système d'exploitation.
- La documentation fournie avec les composants achetés séparément contient des informations permettant de configurer et d'installer ces options.
- Des mises à jour sont parfois fournies avec le système. Elles décrivent les modifications apportées au système, aux logiciels ou à la documentation.
  -  **REMARQUE** : Vérifiez toujours si des mises à jour sont disponibles sur le site [support.dell.com](http://support.dell.com) et lisez-les en premier, car elles remplacent souvent les informations contenues dans les autres documents.
- Des notes de version ou des fichiers lisez-moi (readme) sont parfois fournis ; ils contiennent des mises à jour de dernière minute apportées au système ou à la documentation, ou des documents de référence technique avancés destinés aux utilisateurs expérimentés ou aux techniciens.

## Obtention d'assistance technique

Si vous ne comprenez pas une procédure décrite dans ce guide ou si le système ne réagit pas comme prévu, consultez le document *Hardware Owner's Manual* (Manuel du propriétaire).

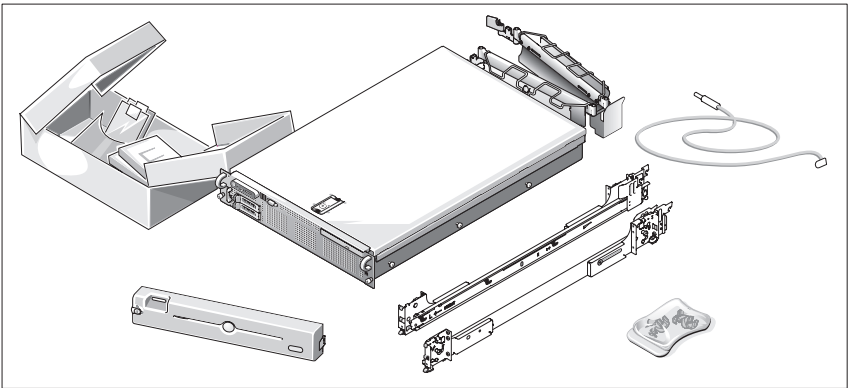
Des formations et certifications Dell™ Enterprise sont disponibles. Pour plus d'informations, consultez le site [www.dell.com/training](http://www.dell.com/training). Ce service n'est disponible que dans certains pays.

# Installation et configuration

**⚠ PRÉCAUTION :** Avant de commencer la procédure suivante, lisez et appliquez les consignes concernant la sécurité et les réglementations, que vous trouverez dans le document *Product Information Guide* (Guide d'informations sur le produit).

Cette section décrit les étapes à exécuter lors de la configuration initiale du système.

## Déballage du système

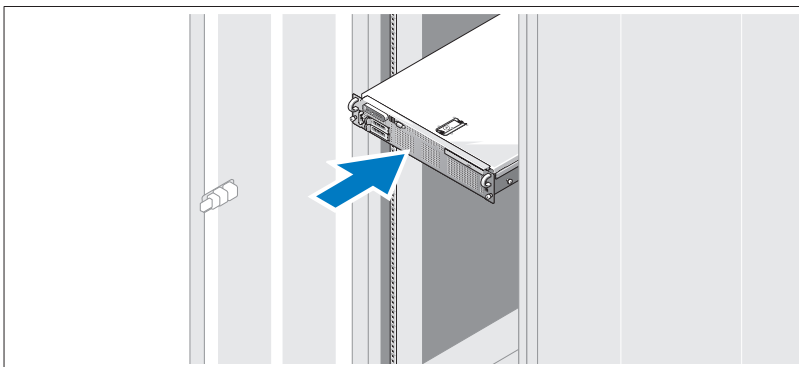


**1** Sortez le système de son emballage et identifiez chaque élément.

Conservez les matériaux d'emballage au cas où vous en auriez besoin ultérieurement.

**✎ REMARQUE :** Le contenu de l'emballage varie en fonction des options que vous avez commandées ; certains des composants représentés ne sont donc peut-être pas fournis.

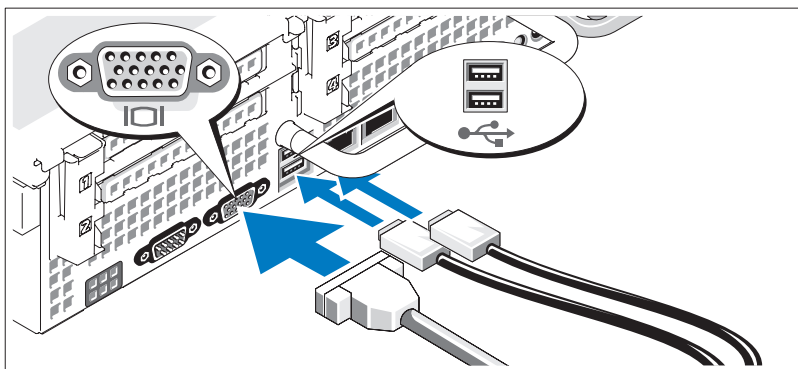
## Installation des rails et du système dans un rack



- 2 Commencez par lire les consignes de sécurité qui se trouvent dans la documentation d'installation du rack, puis installez les rails et le système dans le rack.

Consultez la documentation d'installation du rack pour obtenir les instructions appropriées.

## Connexion du clavier, de la souris et du moniteur

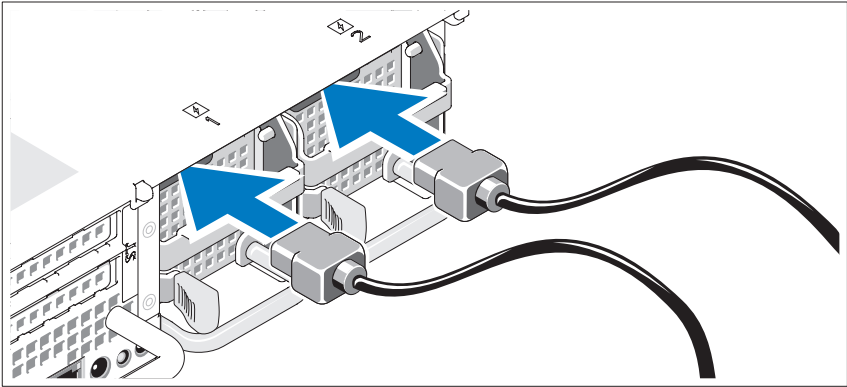


- 3 Connectez le clavier, la souris et le moniteur (facultatif).

Utilisez les icônes des connecteurs situés à l'arrière du système pour savoir où insérer chaque câble. N'oubliez pas de serrer les vis situées sur le connecteur du câble du moniteur, s'il en est équipé.

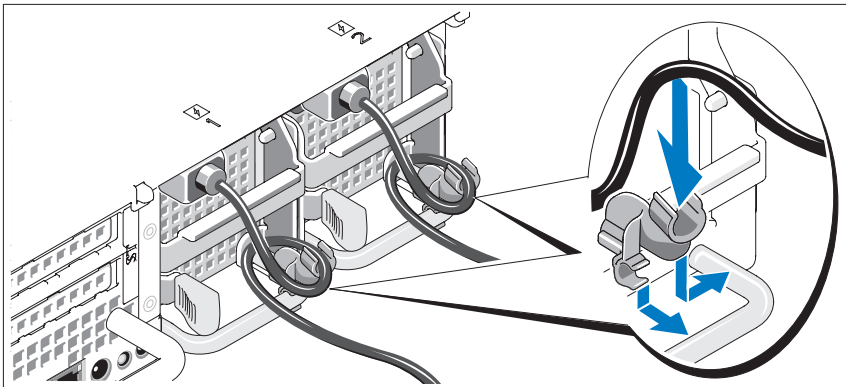


## Connexion du câble d'alimentation



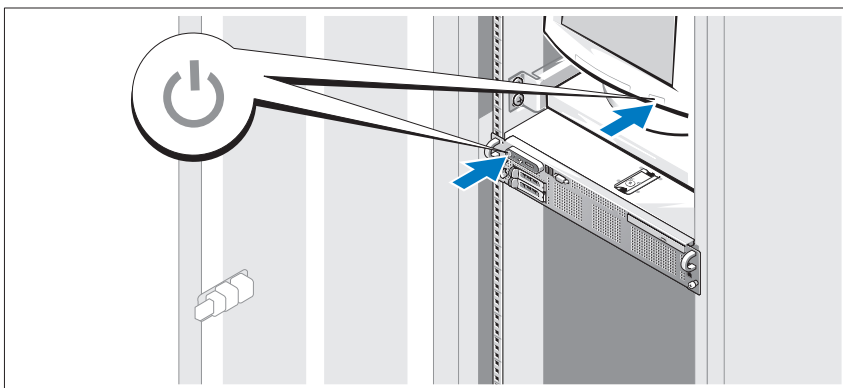
- 4 Branchez les câbles d'alimentation appropriés (un sur le moniteur [en option] et un sur le système).

## Installation du support de fixation du câble d'alimentation



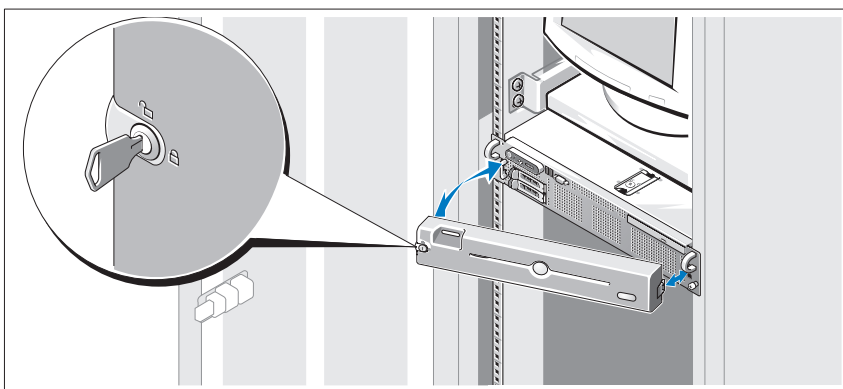
- 5 Fixez le support du câble sur la partie droite de la poignée du bloc d'alimentation. Faites une boucle comme indiqué dans l'illustration et insérez le câble d'alimentation dans le clip du support. Recommencez cette procédure pour le second bloc d'alimentation.
- 6 Branchez ensuite l'autre extrémité des câbles sur une prise de courant mise à la terre ou sur une source d'alimentation autonome (onduleur ou unité de distribution de l'alimentation).

## Mise sous tension du système



- 7** Mettez le système sous tension, ainsi que le moniteur, si nécessaire.
- Après avoir retiré le cadre, appuyez sur le bouton d'alimentation du système et sur celui du moniteur. Les voyants d'alimentation doivent s'allumer. Réglez le moniteur jusqu'à ce que l'image soit correctement affichée.

## Installation du cadre



- 8** Installez le cadre (facultatif).

# Finalisation de l'installation du système d'exploitation

Si vous avez acheté un système d'exploitation préinstallé, consultez tout d'abord la documentation correspondante, qui vous a été fournie avec le système.

Si vous installez un système d'exploitation pour la première fois, consultez le document *Quick Installation Guide* (Guide d'installation rapide). Veillez à installer le système d'exploitation avant tout élément matériel ou logiciel acheté séparément.

## Spécifications techniques

---

### Processeur

---

|                    |  |
|--------------------|--|
| Type de processeur | Deux processeurs AMD Opteron double cœur ou quadruple cœur |
|--------------------|--|

---

### Bus d'extension

---

|             |      |
|-------------|------|
| Type de bus | PCIe |
|-------------|------|

---

#### Logements d'extension

Carte de montage de droite  
(numéro 1) :

PCIe

Un logement x8 pleine hauteur/pleine longueur  
(en haut)

Un logement x4 pleine hauteur/mi-longueur  
(en bas)

Un logement interne pour carte SD  
(Secure Digital)

Carte de montage de gauche  
(numéro 2) :

PCIe

Un logement x8 pleine hauteur/pleine longueur  
(en haut)

Un logement x8 pleine hauteur/mi-longueur  
(en bas)

Un connecteur interne pour clé USB

---

## Mémoire

---

|  |  |
|--|--|
| Architecture   | Barrettes de mémoire DDR2 à registres et avec parité, cadencées à 667 MHz  |
| Supports de barrette de mémoire                      | 16 à 240 broches   |
| Capacité des barrettes de mémoire                    | 512 Mo, 1 Go, 2 Go, 4 Go ou 8 Go (à simple ou à double rangée de connexions ; les barrettes à quadruple rangée de connexions ne sont pas prises en charge) |
| RAM minimale (installée dans deux groupes de paires) | 2 Go (1 Go pour chaque processeur, 2 barrettes DIMM par processeur)  |
| RAM maximale   | 128 Go (64 Go par processeur)  |

---

## Lecteurs

---

|                 |   |
|-----------------|---|
| Disques durs    | Jusqu'à deux disques durs internes SAS ou SATA de 2,5 pouces, enfichables à chaud   |
| Lecteur optique | Un lecteur slim SATA (DVD-ROM ou DVD-RW) ou un lecteur combo CD-RW/DVD (selon disponibilité). Tous ces éléments sont disponibles en option.<br><b>REMARQUE :</b> Les périphériques DVD sont uniquement des périphériques de données.<br>Un lecteur de DVD USB externe en option |
| Lecteur flash   | USB externe en option<br>USB interne en option<br>Carte SD interne en option  |

---

## Connecteurs

---

### À l'arrière

|       |   |
|-------|---|
| NIC   | Quatre connecteurs RJ-45 10/100/1000              |
| Série | Connecteur DTE à 9 broches, compatible 16550      |
| USB   | Deux connecteurs à 4 broches, compatibles USB 2.0 |
| Vidéo | VGA, 15 broches                                   |

---

**Connecteurs (suite)**

---

**À l'avant**

|       |   |
|-------|---|
| Vidéo | VGA, 15 broches                                   |
| USB   | Deux connecteurs à 4 broches, compatibles USB 2.0 |

**À l'intérieur**

|     |   |
|-----|---|
| USB | Un connecteur à 4 broches, compatible USB 2.0   |
| SD  | Un logement pour carte mémoire flash, sur la carte de montage PCIe de droite (numéro 1) |

---

**Vidéo**

---

|               |   |
|---------------|---|
| Type de vidéo | Contrôleur vidéo ATI ES1000, connecteur VGA |
| Mémoire vidéo | 32 Mo                                       |

---

**Alimentation**

---

**Bloc d'alimentation en CA (selon la tension en vigueur)**

|                          |  |
|--------------------------|--|
| Puissance                | 700 W  |
| Tension                  | 85-264 VCA avec sélection automatique de la tension, 47-63 Hz  |
| Dissipation thermique    | 2697 BTU/h (680 kcal/h) maximum  |
| Appel de courant maximal | Dans des conditions de lignes typiques et dans toute la gamme ambiante de fonctionnement du système, l'appel de courant peut atteindre 55 A par bloc d'alimentation pendant un maximum de 10 ms. |

**Piles et batteries**

|                           |  |
|---------------------------|--|
| Pile du système           | Pile bouton au lithium-ion CR 2032 (3 V) |
| Batterie RAID (en option) | 4,1 V au lithium-ion                     |

---

## Caractéristiques physiques

---

|                                |                         |
|--------------------------------|-------------------------|
| Hauteur                        | 8,67 cm (3,41 pouces)   |
| Largeur                        | 44,4 cm (17,5 pouces)   |
| Profondeur                     | 71,26 cm (28,05 pouces) |
| Poids (configuration maximale) | 20,23 kg (44,6 livres)  |

---

## Environnement

---

**REMARQUE :** Pour plus d'informations concernant les mesures d'exploitation liées à différentes configurations spécifiques, rendez-vous à l'adresse [www.dell.com/environmental\\_datasheets](http://www.dell.com/environmental_datasheets).

### Température

En fonctionnement De 10° à 35°C (50° à 95°F), avec un gradient de température maximal de 10°C par heure.

**REMARQUE :** Pour les altitudes supérieures à 900 mètres (2 950 pieds), la température maximale de fonctionnement est réduite de 0,55°C (1°F) tous les 168 mètres (550 pieds).

Stockage De -40° à 65°C (-40° à 149°F) avec un gradient de température maximal de 20°C par heure.

### Humidité relative

En fonctionnement De 20% à 80% (sans condensation) avec un gradient d'humidité maximal de 10% par heure.

Stockage De 5% à 95% (sans condensation) avec un gradient d'humidité maximal de 10% par heure.

---

## Environnement *(suite)*

---

### Tolérance maximale aux vibrations

|                |  |
|----------------|--|
| Fonctionnement | 0,26 Grms à 5-350 Hz (système installé dans la position de fonctionnement) |
| Stockage       | 1,54 Grms à 10-250 Hz (toutes positions)                                   |

### Tolérance maximale aux chocs

|                |  |
|----------------|--|
| Fonctionnement | Une impulsion de choc de 31G de chaque côté du système, pendant 2,6 ms sur l'axe z positif (système installé dans la position de fonctionnement) |
| Stockage       | Six chocs consécutifs de 71 G pendant un maximum de 2 ms en positif et négatif sur les axes x, y et z (une impulsion de chaque côté du système)  |

### Altitude

|                |  |
|----------------|--|
| Fonctionnement | De -16 à 3 048 m (-50 à 10 000 pieds)<br><b>REMARQUE :</b> Pour les altitudes supérieures à 900 mètres (2 950 pieds), la température maximale de fonctionnement est réduite de 0,55°C (1°F) tous les 168 mètres (550 pieds). |
| Stockage       | De -16 à 10 600 m (-50 à 35 000 pieds)   |





Sistemas Dell™  
PowerEdge™ R805

Primeiros passos  
com o sistema

Modelo EMS01



# Notas, avisos e advertências



**NOTA:** NOTA fornece informações importantes para ajudar você a usar melhor o computador.



**AVISO:** AVISO indica possíveis danos ao hardware ou a possibilidade de perda de dados e ensina como evitar o problema.



**ADVERTÊNCIA:** ADVERTÊNCIA indica um potencial de danos à propriedade, de lesões corporais ou até de morte.

---

As informações contidas neste documento estão sujeitas a alterações sem aviso prévio.  
© 2007 Dell Inc. Todos os direitos reservados.

Fica proibida a reprodução por quaisquer meios sem a permissão por escrito da Dell Inc.

Marcas comerciais mencionadas neste texto: *Dell* e o logotipo da *DELL* são marcas comerciais da Dell Inc.; *AMD* e *AMD Opteron* são marcas registradas da Advanced Micro Devices; *Microsoft*, *Windows*, e *Windows Server* são marcas registradas da Microsoft Corporation; *Novell* e *NetWare* são marcas registradas da Novell, Inc.; *Red Hat* e *Red Hat Enterprise Linux* são marcas registradas da Red Hat, Inc.; *SUSE* é marca registrada da Novell Inc.

As demais marcas e nomes comerciais podem ser utilizados neste documento em referência a empresas proprietárias das marcas e aos nomes de seus produtos. A Dell Inc. renuncia ao direito de qualquer participação em nomes e marcas comerciais que não sejam de sua propriedade.

Modelo EMS01

Agosto de 2007

N/P NX702

Rev. A00

## Recursos do sistema

Esta seção descreve os principais recursos de hardware e software do sistema. Também fornece informações sobre outros documentos de que talvez necessite quando configurar o sistema e sobre como obter assistência técnica.

- Processadores AMD Opteron™ Dual Core ou Quad Core.
- Memória mínima de 2 GB em filas simples ou duplas com módulos de memória DDR2 de 667 MHz (PC2-5300), instalados em conjuntos de dois. A memória pode ser atualizada até o máximo de 128 GB por meio da instalação de combinações de módulos de memória de 512 MB, 1 GB, 2 GB, 4 GB ou 8 GB nos 16 soquetes para módulos de memória (oito por CPU) existentes na placa do sistema.
- Suporte para até duas unidades de disco rígido internos SAS (Serial Attached SCSI ) ou SATA de 2,5 pol. com conexão automática.
- Uma unidade de DVD-ROM SATA fina, uma de DVD-RW SATA fina ou uma combinação de unidades CD-RW/DVD (quando disponível).



**NOTA:** Os dispositivos de DVD destinam-se somente a dados.

- Um chave de violação que sinaliza ao software de gerenciamento de sistemas correspondente se a tampa superior está aberta.
- Até duas fontes de alimentação de 700 W com conexão automática, em uma configuração redundante 1+1 opcional.
- Seis ventiladores de sistema com conexão automática.
- Suporte opcional para para inicialização iSCSI.

A placa de sistema inclui os seguintes recursos:

- Uma placa vertical direita (riser 1) contendo dois slots PCIe (x4 e x8). A placa vertical direita também contém um slot para SD (Secure Digital) para obter suporte OS incorporado.
- Uma placa vertical esquerda (riser 2) contendo um slot PCIe (x8) de comprimento total e um slot PCIe (x8) com meio comprimento.
- Uma placa controladora SAS integrada (através de um slot PCIe dedicado na placa lateral) que oferece suporte tanto para os adaptadores SAS 6i/R quanto para os PERC 6i.
- Controlador PERC integrado opcional (PERC 6i) com cache integrado e backup de bateria.

- Quatro placas NIC Gigabit Ethernet integradas, capazes de suportar taxas de dados de 10 Mbps, 100 Mbps e 1000 Mbps.
- Quatro conectores externos, compatíveis com USB 2.0, dois na parte frontal e dois na parte traseira, compatíveis com unidades de disquete, unidades de DVD-ROM, teclado, mouse ou unidades flash USB.
- Um conector interno, compatível com USB 2.0, capaz de suportar uma unidade flash USB inicializável opcional ou chave de segurança USB.
- Controlador de acesso remoto (RAC) opcional para o gerenciamento remoto de sistemas.
- Um subsistema de vídeo integrado compatível com VGA com base em um controlador de vídeo PCI ATI ES1000 33-MHz integrado. O subsistema de vídeo inclui 32 MB de memória gráfica e suporta diversos modos de imagens de vídeo 2D. Resolução máxima de 1600x1200 com 65.536 cores. (Quando o RAC opcional estiver instalado, a resolução máxima do subsistema de vídeo integrado é 1280 x 1024).
- Circuito de gerenciamento de sistemas que monitora o funcionamento dos ventiladores do sistema, assim como a voltagem e temperatura críticas do sistema e o consumo de energia do sistema. O circuito de gerenciamento de sistemas trabalha em conjunto com o software de gerenciamento de sistemas.
- Controlador padrão de gerenciamento da placa de base (BMC) com acesso serial e LAN.
- Os conectores do painel traseiro incluem um conector serial, um conector de vídeo, dois conectores USB e quatro conectores NIC.
- Os conectores do painel frontal incluem um conector de vídeo e dois conectores USB.
- Um visor LCD de 1x5 pol. no painel frontal para visualização da identificação do sistema e de mensagens de erro.
- Botão de identificação do sistema nos painéis frontal e traseiro.

Para obter mais informações sobre recursos específicos, consulte a seção Especificações técnicas.

## Sistemas operacionais admitidos

- Microsoft® Windows Server® R2 2003, nas edições Standard e Enterprise (SP1 e posterior).
- Microsoft® Windows Server® 2003 R2, nas edições x64 Standard e Enterprise (SP1 e posterior).
- Red Hat Enterprise Linux Server 5 (x86)
- Red Hat Enterprise Linux Server 5 (x86\_64)
- Red Hat Enterprise Linux Server ES (Versão 4.5) (x86)
- Red Hat Enterprise Linux Server ES (Versão 4.5) (x86\_64)
- SUSE® Linux Enterprise Server 9 (x86\_64)
- SUSE Linux Enterprise Server 10 (x86\_64)
- VMware® ESX Server 3 (incluindo versões integradas)



**NOTA:** Para obter as informações mais recentes sobre os sistemas operacionais compatíveis, consulte [www.dell.com](http://www.dell.com).



**NOTA:** O SUSE Linux Enterprise Server 9, anterior ao SP4, não suporta dispositivos ópticos SATA. A instalação deve ser executada usando outros métodos, como uma unidade externa USB CD-ROM.

## Outras informações úteis



**ADVERTÊNCIA:** O *Guia de informações do produto* fornece informações importantes sobre segurança e regulamentação. As informações sobre garantia podem estar incluídas neste documento ou serem fornecidas como documento separado.

- Os documentos *Guia para instalação em rack* ou *Instruções para montagem em rack* fornecidos com a solução para rack descreve como instalar o sistema em racks.
- O *Manual do proprietário de hardware* fornece informações sobre os recursos do sistema e descreve como solucionar problemas do sistema e instalar ou substituir seus componentes.
- Os CDs incluídos com o sistema fornecem documentação e ferramentas para a configuração e o gerenciamento do sistema.
- A documentação do software de gerenciamento de sistemas descreve os recursos, os requisitos, a instalação e a operação básica do software.


- A documentação do sistema operacional descreve como instalar (se necessário), configurar e utilizar o software do sistema operacional.
- A documentação dos componentes comprados separadamente oferece informações de como configurar e instalar essas opções.
- Às vezes, atualizações são fornecidas com o sistema para descrever mudanças que afetam o sistema, o software e/ou a documentação.
  - ✎ **NOTA:** Verifique sempre as atualizações disponíveis no site [support.dell.com](http://support.dell.com) (em inglês) e leia sempre as atualizações em primeiro lugar, pois estas geralmente substituem informações contidas em outros documentos.
- Talvez existam notas de versão ou arquivos Leia-me incluídos para fornecer as atualizações mais recentes do sistema ou documentação/material para referência técnica avançada destinados a usuários experientes ou técnicos.

## Como obter assistência técnica

Se não compreender algum procedimento descrito neste guia ou se o sistema não apresentar o desempenho esperado, consulte o *Manual do proprietário de hardware*.

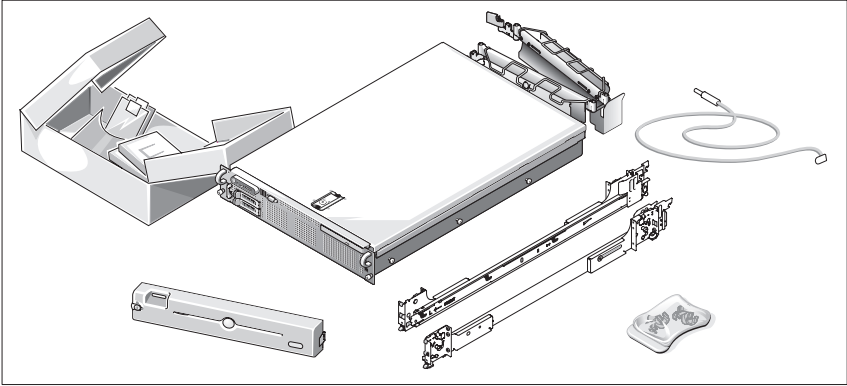
Existem recursos de treinamento e certificação empresarial da Dell™; visite o site [www.dell.com/training](http://www.dell.com/training) (em inglês) para obter mais informações. Esse serviço pode não ser oferecido em todos os locais.

## Instalação e configuração

 **ADVERTÊNCIA:** Antes de executar o seguinte procedimento, leia e siga as instruções de segurança e as informações importantes de normalização contidas no *Guia de informações do produto*.


Esta seção descreve as etapas para a configuração do sistema pela primeira vez.

## Remoção do sistema da embalagem

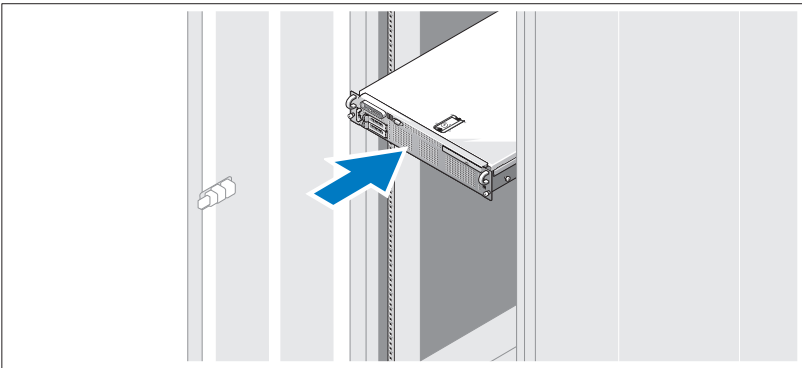


- 1 Remova o sistema da embalagem e identifique cada item.

Guarde todos os materiais de envio caso sejam necessários mais tarde.

 **NOTA:** Dependendo das opções solicitadas, nem todos os componentes exibidos serão incluídos.

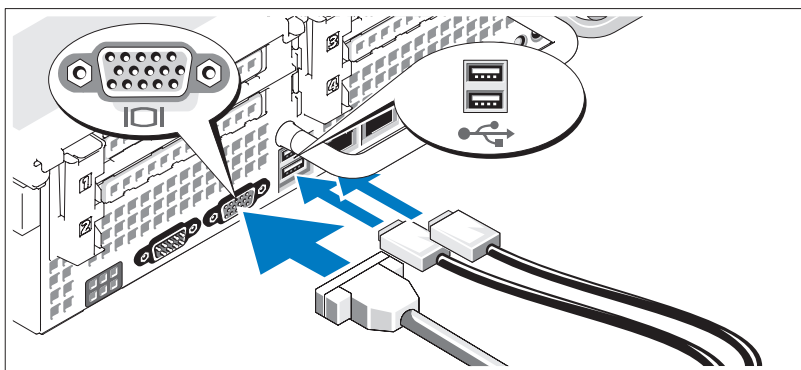
## Instalação dos trilhos e do sistema no rack



- 2 Depois de ler as instruções de segurança localizadas na documentação de instalação em rack para o sistema, instale os trilhos e o sistema no rack.

Consulte o documento de instalação do rack para obter instruções sobre como instalar o seu sistema em um rack.

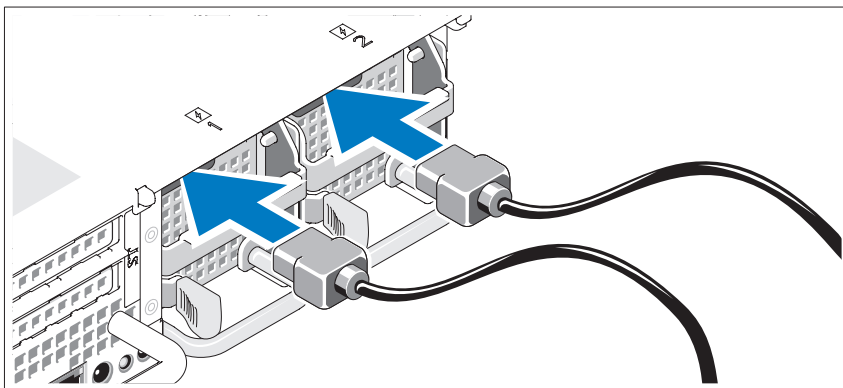
## Conexão de teclado, mouse e monitor



- 3** Conecte o teclado, o mouse e o monitor (opcional).

Os conectores localizados na parte traseira do sistema possuem ícones indicando quais cabos devem ser ligados a cada conector. Certifique-se de apertar os parafusos (se houver algum) no conector do cabo do monitor.

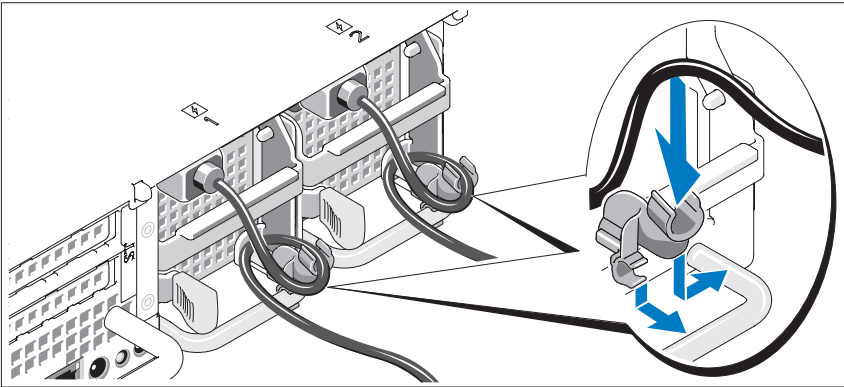
## Conexão da energia



- 4** Conecte o cabo de alimentação ao monitor (opcional) e o cabo de alimentação do sistema ao próprio sistema.

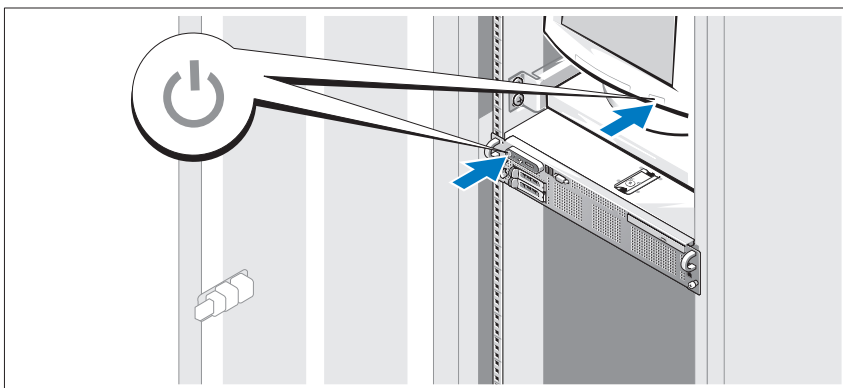


## Instalação do suporte de retenção do cabo de alimentação



- 5** Conecte o suporte de retenção do cabo de alimentação na dobra direita da alça da fonte de alimentação. Dobre o cabo de alimentação do sistema em forma de laço conforme apresentado na ilustração e conecte-o ao colchete do cabo localizado no suporte. Repita o procedimento para a segunda fonte de alimentação.
- 6** Conecte a outra extremidade dos cabos de alimentação a uma tomada elétrica aterrada ou a uma fonte de energia separada como, por exemplo, uma UPS (Uninterruptible Power Supply [fonte de alimentação ininterrupta]) ou uma PDU.

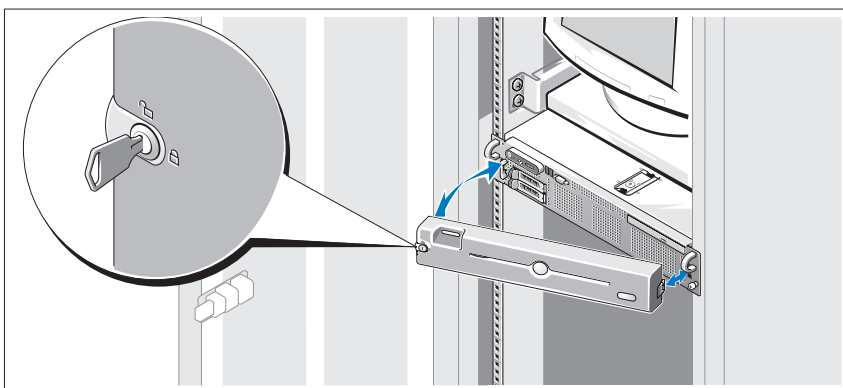
## Como ligar o sistema



- 7** Ligue o sistema e o monitor (opcional).

Após remover a tampa frontal, pressione o botão liga/desliga do sistema e do monitor. As luzes indicadoras de força deverão se acender. Ajuste os controles do monitor até que a imagem exibida seja satisfatória.

## Instalação da tampa frontal



- 8** Instale a tampa frontal (opcional).

# Conclua a configuração do sistema operacional

Caso tenha adquirido um sistema operacional pré-instalado, consulte a respectiva documentação fornecida com o sistema. Para instalar um sistema operacional pela primeira vez, consulte o *Guia de instalação rápida*. Certifique-se de que o sistema operacional esteja instalado antes de instalar qualquer hardware ou software que não tenha sido adquirido com o sistema.

## Especificações técnicas

---

### Processador

---

|                     |  |
|---------------------|--|
| Tipo de processador | Processadores AMD Opteron Dual Core ou Quad Core |
|---------------------|--|

---

### Barramento de expansão

---

|                    |      |
|--------------------|------|
| Tipo de barramento | PCIe |
|--------------------|------|

---

#### Slots de expansão

Placa vertical direita (riser 1):

|      |   |
|------|---|
| PCIe | Um slot de altura e comprimento completos x8 (superior)<br>Um slot de altura completa, meio comprimento x4 (inferior)<br>Um slot interno para placa SD (Secure Digital) |
|------|---|

Placa vertical esquerda (riser 2):

|      |   |
|------|---|
| PCIe | Um slot de altura e comprimento completos x8 (superior)<br>Um slot de altura completa e meio comprimento x8 (inferior)<br>Um soquete interno de chave USB |
|------|---|

---

### Memória

---

|                                  |  |
|----------------------------------|--|
| Arquitetura                      | Módulos de memória DDR2 de paridade registrada de 667 MHz. |
| Soquetes dos módulos de memória. | 16 de 240 pinos  |

---

**Memória (continuação)**

---

|   |   |
|---|---|
| Capacidades dos módulos de memória.         | 512 MB, 1 GB, 2 GB, 4 GB ou 8 GB (somente em filas simples ou duplas, fila quadra não compatível) |
| RAM mínima (instalada em conjuntos de duas) | 2 GB (1 GB cada processador, 2 DIMMs por processador)   |
| RAM máxima                                  | 128 GB (64 GB cada processador)   |

---

**Unidades**

---

|                |  |
|----------------|--|
| Discos rígidos | Até duas unidades internas SAS ou SATA de 2,5 polegadas  |
| Unidade óptica | Uma unidade de DVD-ROM SATA fina, uma de DVD-RW ou uma combinação de unidades CD-RW/DVD (quando disponível).<br><b>NOTA:</b> Os dispositivos de DVD destinam-se somente a dados.<br>USB DVD externo opcional |
| Unidade flash  | USB opcional externa<br>USB opcional interno<br>Cartão SD opcional interno   |

---

**Conectores**

---

**Parte posterior**

|               |   |
|---------------|---|
| Placa de rede | Quatro conectores RJ-45 10/100/1000     |
| Serial        | DTE de 9 pinos, compatível com 16550    |
| USB           | Dois de 4 pinos, compatível com USB 2.0 |
| Vídeo         | VGA de 15 pinos                         |

**Parte frontal**

|         |   |
|---------|---|
| Vídeo   | VGA de 15 pinos   |
| USB     | Dois de 4 pinos, compatível com USB 2.0                                     |
| Interno |   |
| USB     | Um de 4 pinos, compatível com USB 2.0                                       |
| SD      | Um slot de cartão de memória flash na placa vertical direita PCIe (riser 1) |

---

**Vídeo**

---

|                  |   |
|------------------|---|
| Tipo de vídeo    | Controlador de vídeo ATI ES1000; conector VGA |
| Memória de vídeo | 32 MB   |

---

**Energia**

---

**Fonte de alimentação CA (por fonte de alimentação)**

|                            |   |
|----------------------------|---|
| Potência                   | 700 W   |
| Tensão                     | 85–264 VCA, variação automática, 47–63 Hz   |
| Dissipação de calor        | Máxima de 2697 BTU/h  |
| Corrente de entrada máxima | Sob condições de linha típicas e dentro de todo o intervalo de temperatura ambiente de funcionamento do sistema, a corrente de entrada poderá atingir 55 A por fonte de alimentação por 10 ms ou menos. |

**Baterias.**

|                         |  |
|-------------------------|--|
| Bateria do sistema      | Célula tipo moeda, de íon de lítio, CR 2032 de 3,0 V |
| Bateria RAID (opcional) | Íon de lítio de 4,1 V                                |

---

**Físicas**

---

|                            |                       |
|----------------------------|-----------------------|
| Altura                     | 8,67 cm (3,41 pol.)   |
| Largura                    | 44,4 cm (17,5 pol.)   |
| Profundidade               | 71,26 cm (28,05 pol.) |
| Peso (configuração máxima) | 20,23 kg (44,6 pol.)  |

---

## Ambientais

---

**NOTA:** Para obter informações adicionais sobre os valores ambientais para configurações de sistema específicas, visite o site [www.dell.com/environmental\\_datasheets](http://www.dell.com/environmental_datasheets) (em inglês).

### Temperatura

Operacional 10 °C a 35 °C (50 °F a 95 °F) com variação de temperatura máxima de 10 °C por hora

**NOTA:** Para altitudes acima de 890m (2950 pés), a temperatura de operação máxima é diminuída em 55 °C a cada 300 m (1°F a cada 550 pés ).

Armazenamento -40 °C a 65 °C (-40 °F a 149 °F) com variação de temperatura máxima de 20 °C por hora

### Umidade relativa

Operacional 20% a 80% (sem condensação) com variação de umidade máxima de 10% por hora

Armazenamento 5% a 95% (sem condensação) com variação de umidade máxima de 10% por hora

### Vibração máxima

Operacional 0,26 gRMS a 5Hz a 350 Hz em orientações operacionais

Armazenamento 1,54 gRMS a 10 Hz a 250 Hz em todas as orientações

### Choque máximo

Operacional Um pulso de choque no eixo z positivo (um pulso de cada lado do sistema) de 31 G por até 2,6 ms na orientação operacional

Armazenamento Seis pulsos de choque executados consecutivamente nos eixos x, y e z positivos e negativos (um pulso de cada lado do sistema) de 71 G por até 2 ms.

### Altitude

Operacional -16 m a 3048 m (-50 pés a 10000 pés).

**NOTA:** Para altitudes acima de 890m (2950 pés), a temperatura de operação máxima é diminuída em 55 °C a cada 300 m (1°F a cada 550 pés ).

Armazenamento -16 m a 10600 m (-50 pés a 35000 pés)

Sistemas Dell™  
PowerEdge™ R805

# Procedimientos iniciales con el sistema

Modelo EMS01



# Notas, avisos y precauciones



**NOTA:** una NOTA proporciona información importante que le ayudará a utilizar mejor el ordenador.



**AVISO:** un AVISO indica la posibilidad de daños en el hardware o la pérdida de datos, e informa de cómo evitar el problema.



**PRECAUCIÓN:** un mensaje de PRECAUCIÓN indica el riesgo de daños materiales, lesiones o incluso la muerte.

---

**La información contenida en este documento puede modificarse sin previo aviso.**

**© 2007 Dell Inc. Todos los derechos reservados.**

Queda estrictamente prohibida la reproducción de este documento en cualquier forma sin la autorización por escrito de Dell Inc.

Marcas comerciales utilizadas en este texto: *Dell* y el logotipo de *DELL* son marcas comerciales de Dell Inc.; *AMD* y *AMD Opteron* son marcas comerciales registradas de Advanced Micro Devices; *Microsoft*, *Windows* y *Windows Server* son marcas comerciales registradas de Microsoft Corporation; *Novell* y *NetWare* son marcas comerciales registradas de Novell, Inc.; *Red Hat* y *Red Hat Enterprise Linux* son marcas comerciales registradas de Red Hat, Inc.; *SUSE* es una marca comercial registrada de Novell Inc.

Otras marcas y otros nombres comerciales pueden utilizarse en este documento para hacer referencia a las entidades que los poseen o a sus productos. Dell Inc. renuncia a cualquier interés sobre la propiedad de marcas y nombres comerciales que no sean los suyos.

Modelo EMS01

Agosto de 2007

N/P NX702

Rev. A00



## Componentes del sistema

En esta sección se describen los principales componentes de hardware y software del sistema. También se ofrece información sobre otros documentos que puede necesitar para instalar el sistema y sobre cómo obtener asistencia técnica.

- Dos procesadores AMD Opteron™ de doble núcleo o de cuatro núcleos.
- Módulos de memoria (PC2-5300) DDR2 a 667 MHz duales o no duales de un mínimo de 2 GB (instalados en dos conjuntos de pares). La memoria puede ampliarse a un máximo de 128 GB mediante la instalación de combinaciones de módulos de memoria de 512 MB, 1 GB, 2 GB, 4 GB u 8 GB en los 16 zócalos de módulo de memoria (ocho por CPU) de la placa base.
- Compatibilidad con hasta dos unidades de disco duro internas SATA o SAS (SCSI de conexión serie) de 2,5 pulgadas y de acoplamiento activo.
- Una unidad opcional reducida SATA de DVD-ROM, de DVD-RW o combinada de CD-RW/DVD (si está disponible).



**NOTA:** los dispositivos de DVD son sólo de datos.

- Un interruptor de intrusión que indica el software de administración de sistemas adecuado si se abre la cubierta.
- Hasta dos fuentes de alimentación de 700 W de acoplamiento activo en una configuración redundante 1 + 1 opcional.
- Seis ventiladores de acoplamiento activo para la refrigeración del sistema.
- Compatibilidad opcional con inicio iSCSI.

La placa base incluye los componentes siguientes:

- Una tarjeta vertical derecha (tarjeta vertical 1) con dos ranuras PCIe (x4 y x8). La tarjeta vertical derecha también contiene una ranura SD (SecureDigital) para la compatibilidad con el sistema operativo integrado.
- Una tarjeta vertical izquierda (tarjeta vertical 2) con una ranura PCIe (x8) de longitud completa y una ranura PCIe (x8) de media longitud.
- Una tarjeta controladora SAS integrada (a través de una ranura PCIe dedicada en la tarjeta de plano lateral) que admite adaptadores SAS 6i/R y PERC 6i.
- Una controladora PERC integrada (PERC 6i) opcional con caché integrada y batería de reserva.

- Cuatro NIC Ethernet Gigabit integradas que admiten velocidades de datos de 10 Mbps, 100 Mbps y 1 000 Mbps.
- Cuatro conectores externos compatibles con USB 2.0 (dos en la parte frontal y dos en la parte posterior) que admiten una unidad de disquete, una unidad de DVD-ROM, un teclado, un ratón o una unidad flash USB.
- Un conector interno compatible con USB 2.0 que admite una unidad flash USB de inicio opcional o una llave de seguridad por USB.
- Controladora de acceso remoto (RAC) opcional para la administración remota de sistemas.
- Un subsistema de vídeo integrado compatible con VGA basado en una controladora de vídeo PCI ATI ES1000 integrada a 33 MHz. El subsistema de vídeo incluye 32 MB de memoria gráfica y admite diversos modos de vídeo gráfico en 2D. La resolución máxima es de 1 600 x 1 200 con 65 536 colores. Si la RAC opcional está instalada, la resolución máxima del subsistema de vídeo integrado es 1 280 x 1 024.
- Circuitos de administración de sistemas que supervisan el funcionamiento de los ventiladores del sistema, así como los voltajes, las temperaturas y el consumo de energía críticos del sistema. Los circuitos de administración de sistemas funcionan conjuntamente con el software de administración de sistemas.
- Controladora de administración de la placa base (BMC) estándar con acceso serie y a LAN.
- El panel posterior incluye un conector serie, uno de vídeo, dos USB y cuatro de NIC.
- En el panel frontal se incluyen un conector de vídeo y dos conectores USB.
- LCD de panel frontal 1x5 para la ID y los mensajes de error del sistema.
- Botón de ID del sistema en los paneles frontal y posterior.

Para obtener más información sobre componentes específicos, consulte Especificaciones técnicas.

## Sistemas operativos admitidos

- Microsoft® Windows Server® 2003 R2 Standard Edition y Enterprise Edition (SP1 y posteriores)
- Microsoft Windows Server 2003 R2 Standard Edition y Enterprise x64 Edition (SP1 y posteriores)
- Red Hat Enterprise Linux Server 5 (x86)
- Red Hat Enterprise Linux Server 5 (x86\_64)
- Red Hat Enterprise Linux Server ES (versión 4.5) (x86)
- Red Hat Enterprise Linux Server ES (versión 4.5) (x86\_64)
- SUSE® Linux Enterprise Server 9 (x86\_64)
- SUSE Linux Enterprise Server 10 (x86\_64)
- VMware® ESX Server 3 (incluidas las versiones incorporadas)



**NOTA:** para obtener la información más reciente sobre sistemas operativos admitidos, visite [www.dell.com](http://www.dell.com).



**NOTA:** SUSE Linux Enterprise Server 9, anterior a SP4, no admite dispositivos ópticos SATA. La instalación debe realizarse por otros medios, por ejemplo mediante una unidad de CD-ROM USB externa.

## Otra información útil



**PRECAUCIÓN:** la *Guía de información del producto* contiene información importante sobre seguridad y normativas. La información sobre la garantía puede estar incluida en este documento o constar en un documento aparte.

- En los documentos *Guía de instalación del rack* o *Instrucciones de instalación del rack*, incluidos con el rack, se describe cómo instalar el sistema en un rack.
- En el *Manual del propietario del hardware* se proporciona información sobre los componentes del sistema y se describe cómo solucionar problemas del sistema e instalar o sustituir componentes.
- Los CD que se facilitan con el sistema proporcionan documentación y herramientas para configurar y administrar el sistema.
- En la documentación del software de administración de sistemas se describen las funciones, los requisitos, la instalación y el funcionamiento básico del software.

- En la documentación del sistema operativo se describe cómo instalar (si es necesario), configurar y utilizar el software del sistema operativo.
- En la documentación de los componentes adquiridos por separado se incluye información para configurar e instalar las opciones correspondientes.
- Algunas veces, con el sistema se incluyen actualizaciones que describen los cambios realizados en el sistema, en el software o en la documentación.



**NOTA:** compruebe si hay actualizaciones en [support.dell.com](http://support.dell.com) y, si las hay, léalas antes de proceder a la instalación, puesto que a menudo sustituyen la información contenida en otros documentos.

- Es posible que se incluyan notas de la versión o archivos Léame para proporcionar actualizaciones de última hora relativas al sistema o a la documentación, o material de consulta técnica avanzada destinado a técnicos o usuarios experimentados.

## Obtención de asistencia técnica

Si no comprende algún procedimiento descrito en esta guía o si el sistema no funciona del modo esperado, consulte el *Manual del propietario del hardware*.

Tiene a su disposición el servicio de formación y certificación Dell™ para empresas. Para obtener más información, visite [www.dell.com/training](http://www.dell.com/training).

Es posible que este servicio no se ofrezca en todas las regiones.

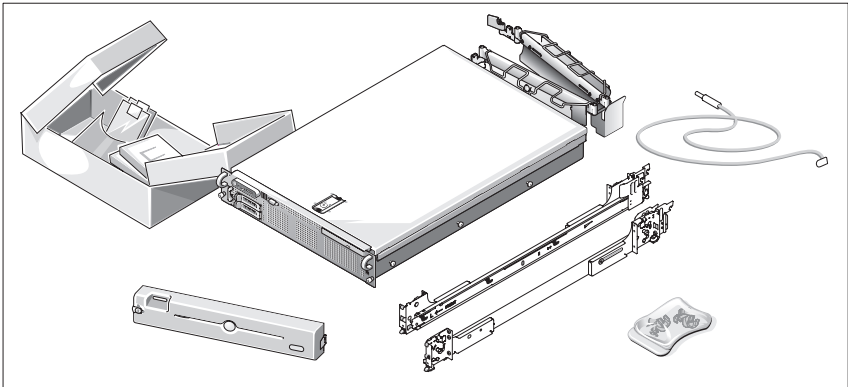
## Instalación y configuración



**PRECAUCIÓN:** antes de realizar el procedimiento siguiente, lea y siga las instrucciones de seguridad y la información importante sobre normativas incluidas en la *Guía de información del producto*.

En esta sección se describen los pasos para configurar el sistema por primera vez.

## Desembalaje del sistema



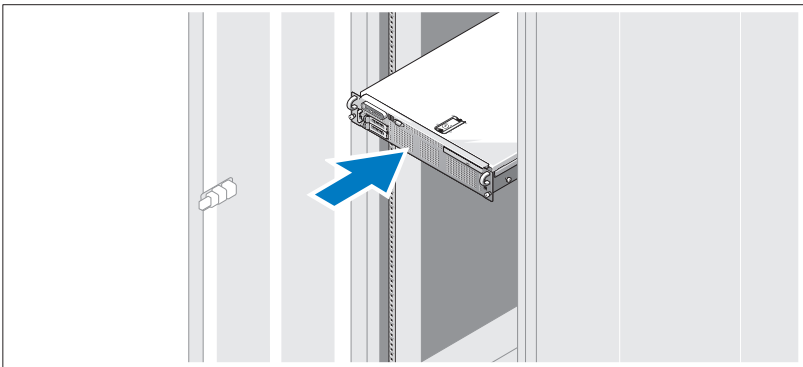
- 1 Desembale el sistema e identifique cada elemento.

Guarde el material de embalaje por si lo necesita más adelante.



**NOTA:** según las opciones solicitadas, puede que no todos los componentes mostrados estén incluidos.

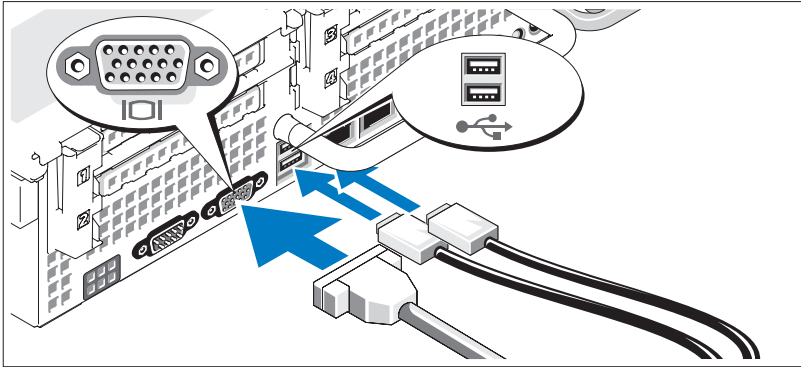
## Instalación de los rieles y del sistema en un rack



- 2 Después de leer las instrucciones de seguridad incluidas en la documentación del sistema relativa a la instalación del rack, instale los rieles y el sistema en el rack.

Consulte la documentación de instalación del rack para obtener instrucciones sobre la instalación del sistema en un rack.

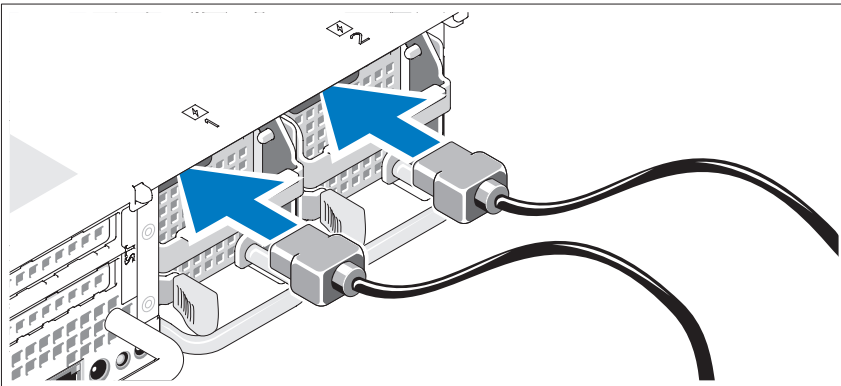
## Conexión del teclado, el ratón y el monitor



- 3 Conecte el teclado, el ratón y el monitor (opcional).

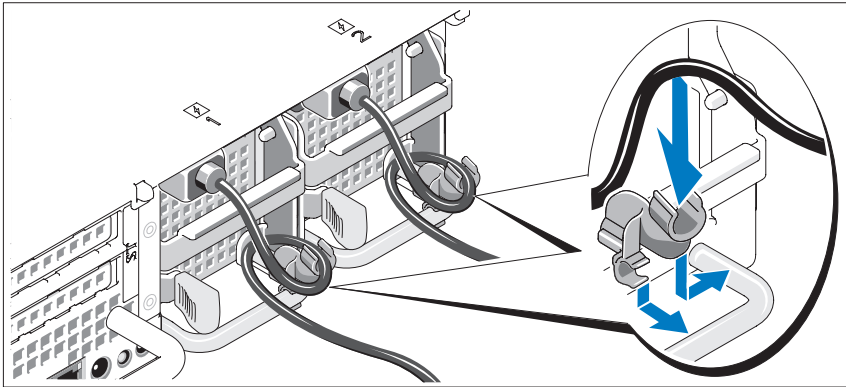
Los conectores de la parte posterior del sistema incluyen iconos que indican qué cable debe enchufarse en cada conector. Asegúrese de apretar los tornillos (si los hay) del conector del cable del monitor.

## Conexión de la alimentación



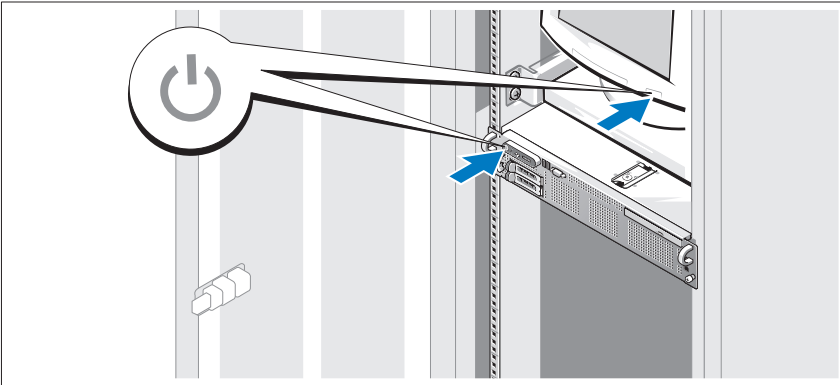
- 4 Conecte el cable de alimentación del monitor al monitor (opcional) y conecte el cable (o cables) de alimentación del sistema al sistema.

## Instalación del soporte de retención del cable de alimentación



- 5** Fije el soporte de retención del cable de alimentación en el codo derecho del asa de la fuente de alimentación. Doble el cable de alimentación del sistema en forma de bucle, tal como se muestra en la ilustración, y fíjelo a la abrazadera correspondiente del soporte. Repita el procedimiento para la segunda fuente de alimentación.
- 6** Conecte el otro extremo del cable de alimentación a una toma eléctrica con conexión a tierra o a otra fuente de energía, como por ejemplo un sistema de alimentación ininterrumpida (SAI) o una unidad de distribución de alimentación (PDU).

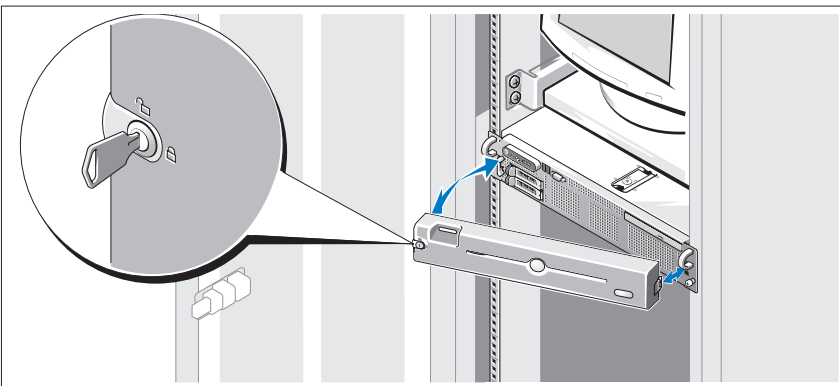
## Encendido del sistema



- 7** Encienda el sistema y el monitor (opcional).

Una vez que se haya extraído el embellecedor, presione el botón de encendido del sistema y del monitor. Los indicadores luminosos de alimentación deberían encenderse. Ajuste los controles del monitor hasta que la imagen mostrada sea satisfactoria.

## Instalación del embellecedor



- 8** Instale el embellecedor (opcional).



# Finalización de la instalación del sistema operativo

Si ha adquirido un sistema operativo preinstalado, consulte la documentación del sistema operativo que se suministra con el sistema. Para instalar un sistema operativo por primera vez, consulte la *Guía de instalación rápida*. Asegúrese de que el sistema operativo está instalado antes de instalar hardware o software no adquirido con el sistema.

## Especificaciones técnicas

| <b>Procesador</b>  |  |
|--|--|
| Tipo de procesador                                       | Dos procesadores AMD Opteron de doble núcleo o de cuatro núcleos   |
| <b>Bus de expansión</b>                                  |  |
| Tipo de bus  | PCIe   |
| <b>Ranuras de expansión</b>                              |  |
| Tarjeta vertical derecha (tarjeta vertical 1):<br>PCIe   | Una ranura x8 de altura y longitud completas (parte superior)<br>Una ranura x4 de altura completa y de media longitud (parte inferior)<br>Una ranura para tarjeta SD (SecureDigital) interna |
| Tarjeta vertical izquierda (tarjeta vertical 2):<br>PCIe | Una ranura x8 de altura y longitud completas (parte superior)<br>Una ranura x8 de altura completa y de media longitud (parte inferior)<br>Un zócalo para memoria USB interna                 |

---

**Memoria**

---

|  |   |
|--|---|
| Arquitectura                                     | Módulos de memoria DDR2 de paridad registrada a 667 MHz                                     |
| Zócalos de módulo de memoria                     | 16 de 240 patas   |
| Capacidades de módulo de memoria                 | 512 MB, 1 GB, 2 GB, 4 GB u 8 GB (sólo duales o no duales; no se admiten módulos cuádruples) |
| RAM mínima (instalada en dos conjuntos de pares) | 2 GB (1 GB cada procesador, 2 DIMM por procesador)  |
| RAM máxima                                       | 128 GB (64 GB cada procesador)  |

---

**Unidades**

---

|                        |  |
|------------------------|--|
| Unidades de disco duro | Hasta dos unidades SAS o SATA internas de 2,5 pulgadas y de acoplamiento activo  |
| Unidad óptica          | Una unidad opcional reducida SATA de DVD-ROM, de DVD-RW o combinada de CD-RW/DVD (si está disponible)<br><b>NOTA:</b> los dispositivos de DVD son sólo de datos.<br>Unidad de DVD USB externa opcional |
| Unidad flash           | Unidad USB externa opcional<br>Unidad USB interna opcional<br>Tarjeta SD interna opcional  |

---

**Conectores**

---

**Parte posterior**

|       |  |
|-------|--|
| NIC   | Cuatro RJ-45 10/100/1000               |
| Serie | 9 patas, DTE, compatible con 16550     |
| USB   | Dos de 4 patas compatibles con USB 2.0 |
| Vídeo | VGA de 15 patas                        |

**Parte frontal**

|       |  |
|-------|--|
| Vídeo | VGA de 15 patas                        |
| USB   | Dos de 4 patas compatibles con USB 2.0 |

---

**Conectores (continuación)**

---

**Internos**

|     |   |
|-----|---|
| USB | Uno de 4 patas compatible con USB 2.0   |
| SD  | Una ranura para tarjeta de memoria flash en la tarjeta vertical derecha (tarjeta vertical 1) PCIe |

---

**Vídeo**

---

|                  |  |
|------------------|--|
| Tipo de vídeo    | Controladora de vídeo ATI ES1000; conector VGA |
| Memoria de vídeo | 32 MB  |

---

**Alimentación**

---

**Fuente de alimentación de CA (por fuente de alimentación)**

|                              |  |
|------------------------------|--|
| Potencia                     | 700 W  |
| Voltaje                      | 85-264 V CA, autoajustable, 47-63 Hz   |
| Disipación de calor          | 2 697 BTU/h (789,8 W) como máximo  |
| Corriente de conexión máxima | En condiciones normales de línea y en todo el ambiente del rango operativo del sistema, la corriente de la conexión puede alcanzar los 55 A por cada fuente de alimentación durante 10 ms o menos. |

**Baterías**

|                         |  |
|-------------------------|--|
| Batería del sistema     | Batería de tipo botón de litio-ion de 3,0 V CR2032 |
| Batería RAID (opcional) | Litio-ion de 4,1 V                                 |

---

**Características físicas**

---

|                             |          |
|-----------------------------|----------|
| Altura                      | 8,67 cm  |
| Anchura                     | 44,4 cm  |
| Profundidad                 | 71,26 cm |
| Peso (configuración máxima) | 20,23 kg |

---

## Especificaciones ambientales

---

**NOTA:** para obtener información adicional sobre medidas ambientales relativas a configuraciones de sistema específicas, visite la página web [www.dell.com/environmental\\_datasheets](http://www.dell.com/environmental_datasheets).

### Temperatura

|                   |   |
|-------------------|---|
| En funcionamiento | De 10 °C a 35 °C con una gradación de temperatura máxima de 10 °C por hora<br><b>NOTA:</b> para altitudes superiores a los 900 m, la temperatura máxima de funcionamiento se reduce 55 °C cada 168 m. |
| En almacenamiento | De -40 °C a 65 °C con una gradación de temperatura máxima de 20 °C por hora   |

### Humedad relativa

|                   |   |
|-------------------|---|
| En funcionamiento | Del 20 al 80% (sin condensación) con una gradación de humedad máxima del 10% por hora |
| En almacenamiento | Del 5 al 95% (sin condensación) con una gradación de humedad máxima del 10% por hora  |

### Vibración máxima

|                   |   |
|-------------------|---|
| En funcionamiento | 0,26 Grms a 5-350 Hz en las orientaciones de funcionamiento |
| En almacenamiento | 1,54 Grms a 10-250 Hz en todas las orientaciones            |

### Impacto máximo

|                   |  |
|-------------------|--|
| En funcionamiento | Un choque en el sentido positivo del eje z (un choque en cada lado del sistema) de 31 G durante 2,6 ms en la orientación de funcionamiento                             |
| En almacenamiento | Seis choques ejecutados consecutivamente en el sentido positivo y negativo de los ejes x, y y z (un choque en cada lado del sistema) de 71 G durante un máximo de 2 ms |

### Altitud

|                   |   |
|-------------------|---|
| En funcionamiento | De -16 a 3 048 m<br><b>NOTA:</b> para altitudes superiores a los 900 m, la temperatura máxima de funcionamiento se reduce 55 °C cada 168 m. |
| En almacenamiento | De -16 a 10 600 m   |